


( )

200

1		30 30 36cm		108	
2		1 VGA VGA 3 1 VGA 2 VGA VGA 2 3 RCA 1 4 RCA 1 5 3.5 3 6 3.5 1 7 20Hz-20KHz 8 VGA 400MHz 9 100MHz 10 USB 1 USB 11 1 RJ45 12 1 RS-232 1 13 1 14 3		3	


		15                    180 91 115 mm 16                    162 83 mm			
3		VHF200-280MHz < 20ppm 80db                    < 0.5% 40Hz-15KHz 3dB 0- 400mV 0- 200mV		2	
4		150W 4-8                    300W 140W 2 20Hz-20KHz-2DB		2	
5		1 2.4G 2                                    20mv 300mv 3 20Hz-20KHz                    60Hz-18KHz 4                                    3KHz 12dB, 100Hz 12dB 5                                    0.2% 6                                    85dB 7                                    5mV 8                                    260W 9                                    AC220V 50Hz		2	
6		250cm 200cm 60cm 		16	
7		:                    90cm 200cm 40cm		11	

8		160cm 80cm+ ;		4	
9		2 1		10	
10		84 + LED A 84 16:9 3840 2160 4000 1 178		1	
11		113N IMO MSC207 (81) MSC200 (80)		100	

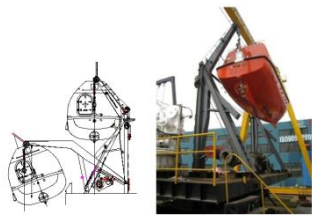
--	--	--	--	--	--	--

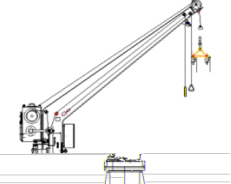
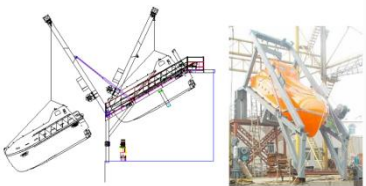
SOLAS

12

		CCS			
26				1	
27		10K-50mm-20M 10K-65mm-20M 6		12	
28		50mm 65mm		6	
29		50mm 65mm		4	
30		50mm 65mm		4	
31				1	
32		DN50		2	
33		FSS Code		20	
34				100	
35				100	
36				100	
37				100	
38				20	
39				20	
40				1	
41				1	

42				10	
43				4	
44				4	
45				4	
46				10	
47				1	
48				2	
49				20	
50				3	
51				3	


52		<p>STCW MARPOL (SOLAS) 2006 MLC LSA FSS guideline on fatigue ISM Code SOPEP Code OF Safe Working Practices ForSeaFarer</p>		2	
53		2.5 1( M)		8	
54		2 0.5 (M)		8	
55		<p>52KN</p> 		1	2
56		<p>4.2 1.86 0.86(m) 6 (P) 6 (knots) 1045 (kg)</p>		1	3

		<p>(kN) 14 (kN) 14</p> 			
57		<p>4.90m 2.25m 0.86m 16 (P) 6 (knots) (kN) 75</p> 		1	4
58		85cm		2	
59		85cm		1	
60		PE		4	
61				4	
62				40	
63				2	



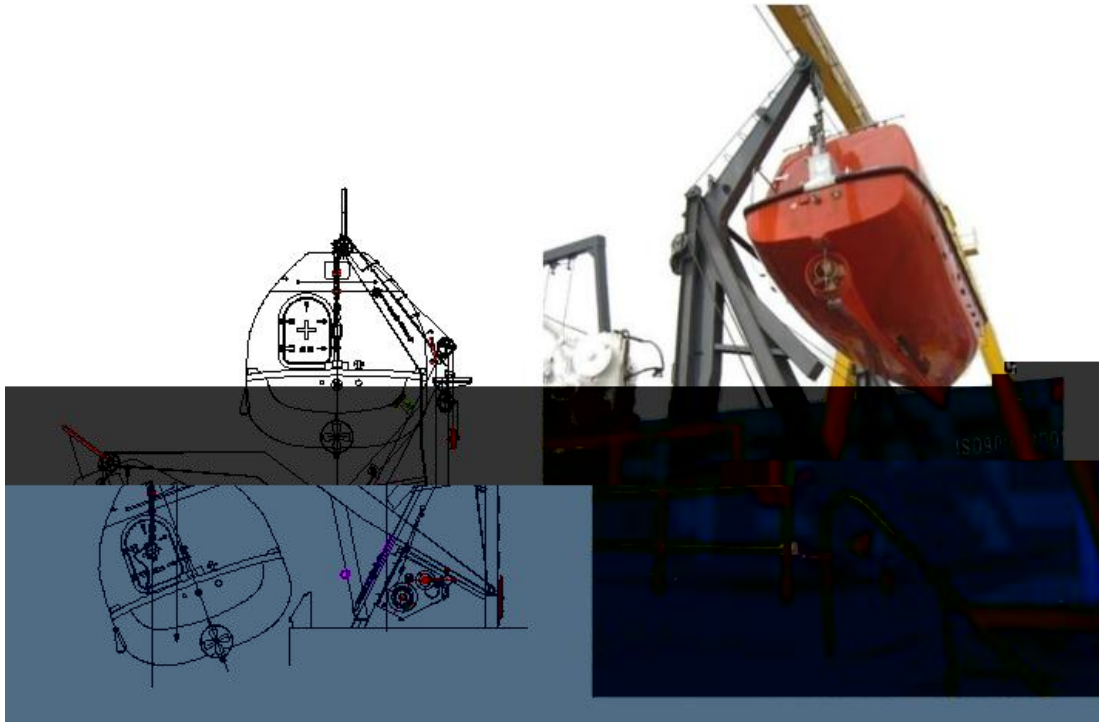
64	9	105cm	40 70	9	
65				2	
66				2	
67		A		20	
68			118g/	3	
69			185 80 1cm	4	
70		XXL		4	
71		4		20	
72		4		20	
73		4		20	
74		4		20	
75		USB		20	
76			73 33cm	20	
77				20	



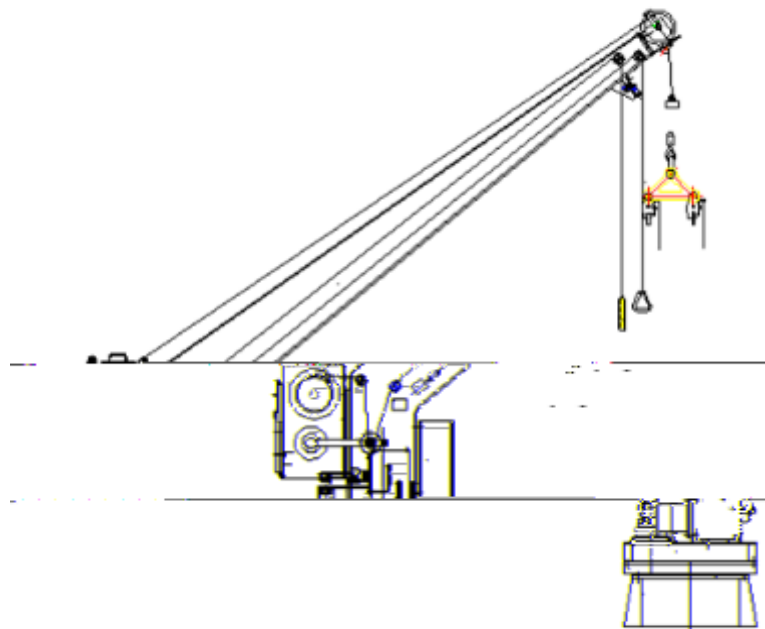
		<p>3</p> <p>1</p> <p>1 1</p> <p>1 /</p> <p>2</p> <p>3</p> <p>4</p> <p>1 1</p> <p>2</p> <p>1</p> <p>3</p> <p>4 1 1</p> <p>1 1</p> <p>6 6 6</p> <p>5</p> <p>1</p> <p>6</p> <p>1</p> <p>7</p> <p>1</p> <p>2</p> <p>2</p>			
86		 <p>16ppm 600 600dpi</p>		1	

87		1. I7 8GB 2TB 21		3	
88		1. 2. 3LCD 3 4 3500		2	
89		3		1	

2



3



常规救助艇和救生筏

两用吊

4

